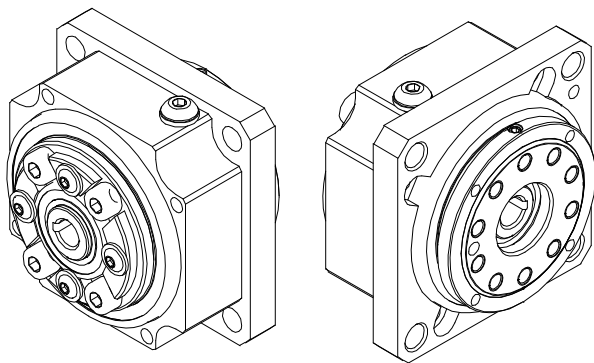
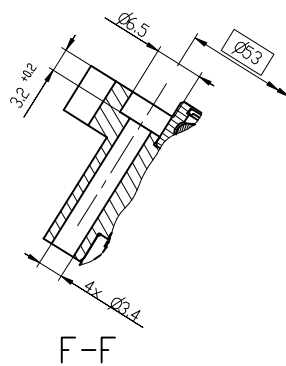
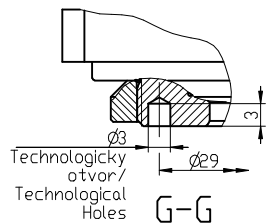
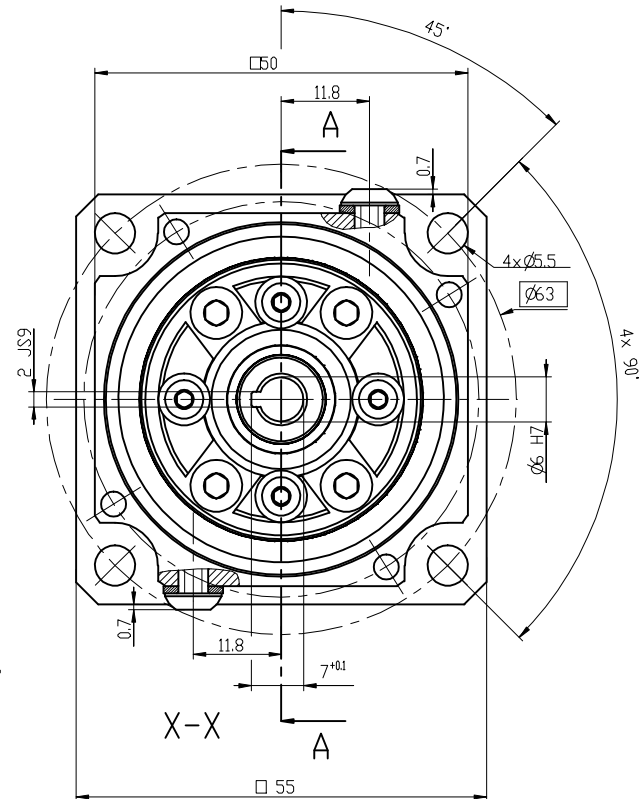
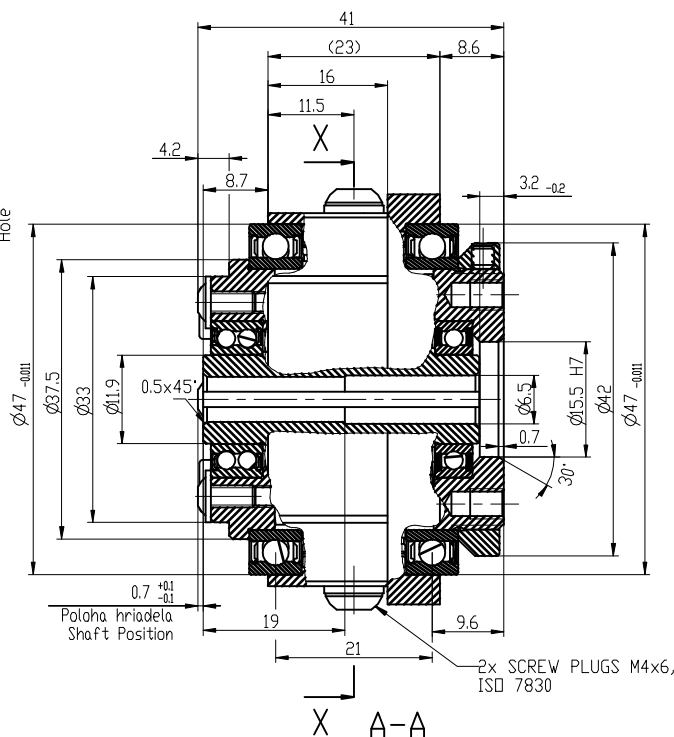
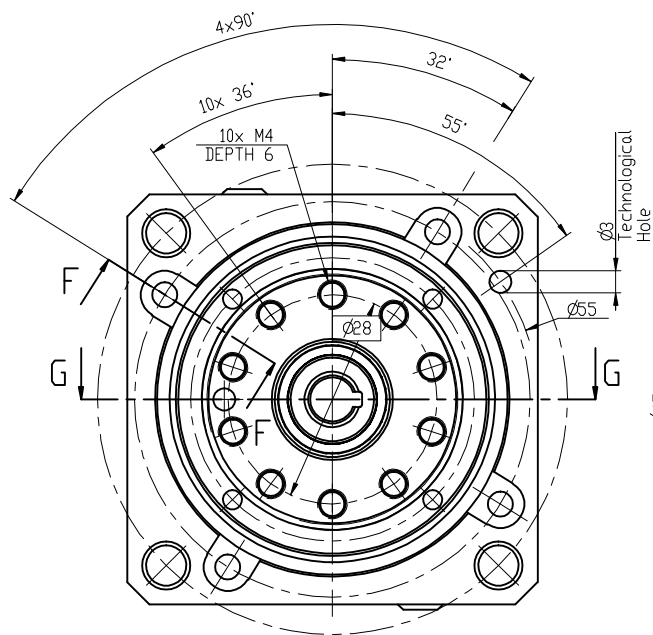


TS 50-i-M-P6



1. Use only standardized components such as O-ring seal, bolts, washers, etc.
2. Right to change without prior notice reserved.